

Product specification sheet

Piston floor box IP 67

| | | |
|-------|---------------------------------------|--------------------------------------|
| Type: | STAKOHOME-SV-40K (Round top frame) | 4x Socket 230V |
| Type: | STAKOHOME-SV-40Knw (Round top frame) | 3x Socket 230V, 2xRJ45 Cat.6a |
| Type: | STAKOHOME-SV-40H (Square top frame) | 4x Socket 230V |
| Type: | STAKOHOME-SV-40Hnw (Square top frame) | 3x Socket 230V, 2xRJ45 Cat.6a |
| Type: | STAKOHOME-SV-31H (Square top frame) | 3x Socket 230V, adapter 1x400V 5/16A |
| Type: | STAKOHOME-SV-31K (Round top frame) | 3x Socket 230V, adapter 1x400V 5/16A |

Other types (equipment) on request

Description:

The body and lid are made of solid aluminum (opening the lid with a special key). **Round or Square top frame.** PVC / black socket holder. If this version is installed correctly, cars can pass over it (load capacity 6,5t). It is suitable for outdoor use. Side intake 1x M25 and bottom 1xM25.

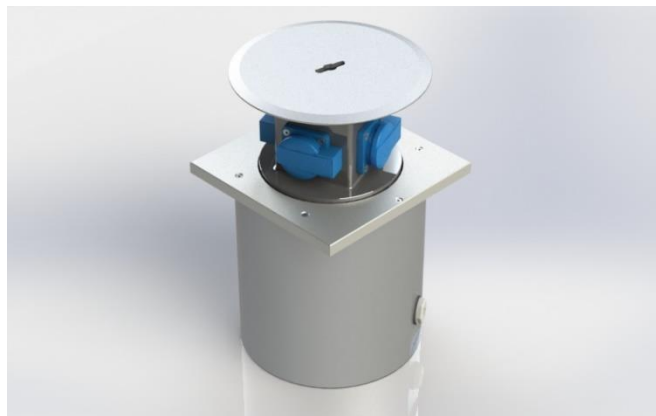
Installation instructions:

Use cable fittings with degree of protection IP 67. Use only flexible cables to ensure the degree of protection. Use a spirit level to push the underground socket into a mortar bed, etc. and level the screed or similar material with the ground. The rest is then filled with mortar. The box must be regularly cleaned of dirt, otherwise the type of protection cannot be guaranteed. The connection may only be carried out by an authorized electrician. Use cable bushing / glands according to the size / cross-section of the installed cable. Secure the cable entries (eg with a sealing compound) so that the intake is sealed and water / moisture does not get into the socket.

Maintenance: the floor box must be checked regularly and cleaned (especially at the bottom of the lid and around the seal. When closing the floor box (due to tightness), it is necessary to push the lid to the stop (only after an audible click).



Pic. Round top frame.



Pic. Square top frame.

Note: The 230V sockets (pictured) may actually differ in color (eg in black) and may be rotated 90 degrees.

Fields of application: Outdoor and indoor, garage, entrance etc. When closed, floor box has IP 67 protection, in the ejected state is IP 44 (without interconnection.)

Technical data:

| | |
|------------------------|--|
| Material: | Body and top cover – anodized aluminium. Holder of sockets is made from black PVC. |
| Size round top frame: | Ø 210x230 mm (height), |
| Size square top frame: | Ø 205x205x230mm (height), bottom part/plate Ø210mm |
| Wight: | aprox 9,5Kg |
| Load: | 6,5t |
| Equipment: | 230V, RJ45, 400V, audio etc. |

Note: Print errors and changes reserved.

stakohome®

Stakohome Network s.r.o.
 IČ: 27213064, DIČ: CZ27213064
 tel.: +420 226 517 522
 fax: +420 226 517 379
stakohome@stakohome.cz
www.stakohome.cz

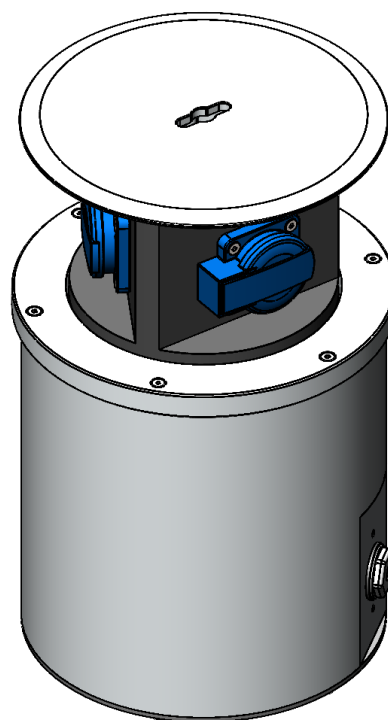
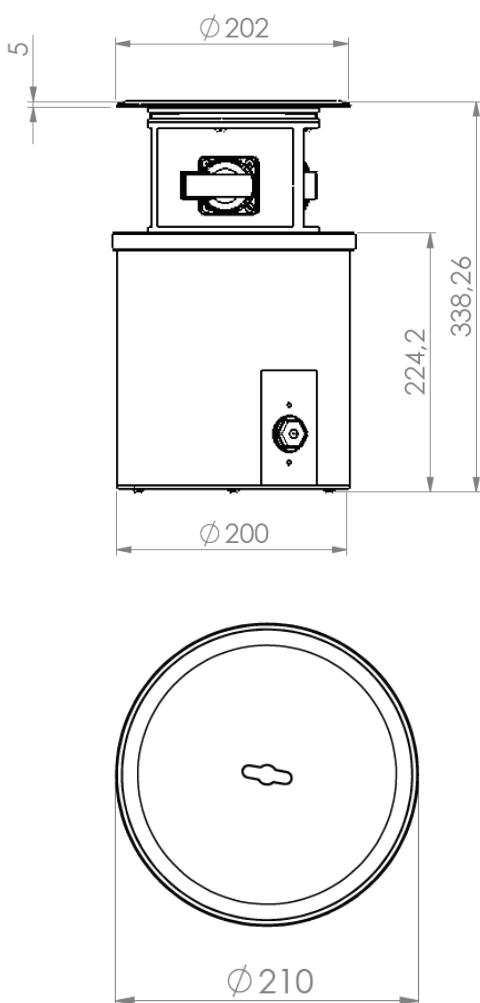
www.intelligentni-byt.cz

Invoice address: Podnikatelská 565, 190 11 Praha 9, Běchovice
 Showroom and delivery address: Aloisovská 934/8, 198 00 Praha 9, Hloubětín

Technical sheet

Piston floor box with IP 67

Type: STAKOHOMESV-40K (round top frame) 4x socket 230V
 Type: STAKOHOMESV-40Knw (round top frame) 3x socket 230V, 2xRJ45 Cat.6a
 Type: STAKOHOMESV-31K (round top frame) 3x socket 230V, adapter 1x400V 5/16A
Other types (equipment) on request



Note: Print errors and changes reserved

stakohome®

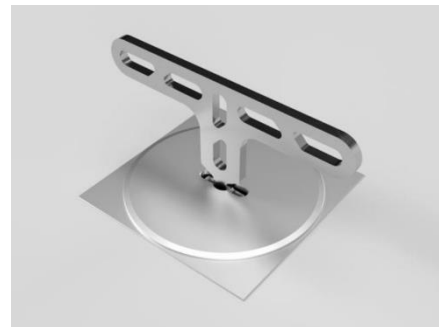
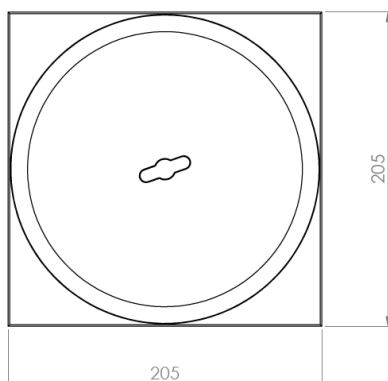
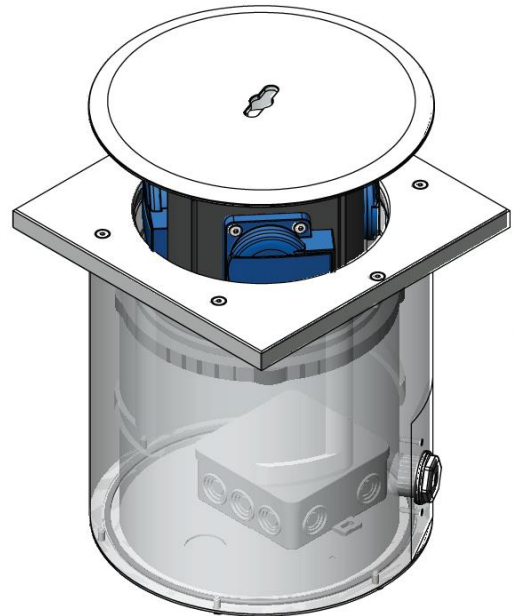
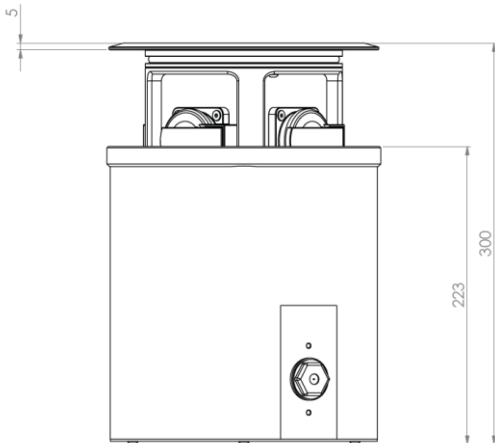
Stakohome Network s.r.o.
 IČ: 27213064, DIČ: CZ27213064
 tel.: +420 226 517 522
 fax: +420 226 517 379
stakohome@stakohome.cz
www.stakohome.cz
www.intelligentni-byt.cz

Invoice address: Podnikatelská 565, 190 11 Praha 9, Běchovice
 Showroom and delivery address: Aloisovská 934/8, 198 00 Praha 9, Hloubětín

Technical sheet

Piston floor box with IP 67

Typ: STAKOHOMESV-40H (square top frame) 4x socket 230V
 Typ: STAKOHOMESV-40Hnw (square top frame) 3x zásuvka 230V, 2xRJ45 Cat.6a
 Typ: STAKOHOMESV-31H (square top frame) 3x zásuvka 230V, adaptér 1x400V 5/16A
Other types (equipment) on request



Note: print errors and changes reserved

stakohome®

Stakohome Network s.r.o.
 IČ: 27213064, DIČ: CZ27213064
 tel.: +420 226 517 522
 fax: +420 226 517 379
stakohome@stakohome.cz
www.stakohome.cz
www.intelligentni-byt.cz

Invoice address: Podnikatelská 565, 190 11 Praha 9, Běchovice
 Showroom and delivery address: Aloisovská 934/8, 198 00 Praha 9, Hloubětín

Instalation manual STAKOHOME-SV-10K/H

To open, insert the handle / key (secure by turning the key so that it cannot be removed) into the lid, then pull the lid straight up as far as it will go (**click will sound**) and then turn clockwise (approx. 30°, it may be stiff). This secures the lifting element. Attention: the lifting element / extension part with sockets must be extended straight to secure and seal.

When closing, please proceed in reverse order. That is, turn it slightly counterclockwise, insert the sockets / lifting element and finally push it all the way in by hand (**only after an audible click**) so that the socket is sealed. Once the socket is closed and the lid is pushed all the way in, do not rotate with the lid.

When closing, make sure that there is no dirt inside the drawer, especially at the bottom of the lid and around the seal and around the plug-in part.

Connection

Open the ground socket as described above.

Remove the 6 hexagon screws and lift the lifting section up. After connecting, turn the lifting part 1x so that the connecting cables wrap around the bottom cover in a spiral. Slide the lifting element back in and screw the screws back on. CAUTION on the seal! Close as described above. The cables between the sockets and the connection terminals must be flexible.

ATTENTION:

Have the electrical connection carried out only by a qualified electrician.

Power lines must always be watertight.

Note: print errors and changes reserved



stakohome®

Stakohome Network s.r.o.
IČ: 27213064, DIČ: CZ27213064
tel.: +420 226 517 522
fax: +420 226 517 379
stakohome@stakohome.cz
www.stakohome.cz

www.intelligentni-byt.cz
Invoice address: Podnikatelská 565, 190 11 Praha 9, Běchovice
Showroom and delivery address: Aloisovská 934/8, 198 00 Praha 9, Hloubětín

POSSIBLE VARIANTS:

ROUND TOP FRAME STAKOHOME-SV40K/31K



SQUARE TOP FRAME STAKOHOME-SV-40H/31H

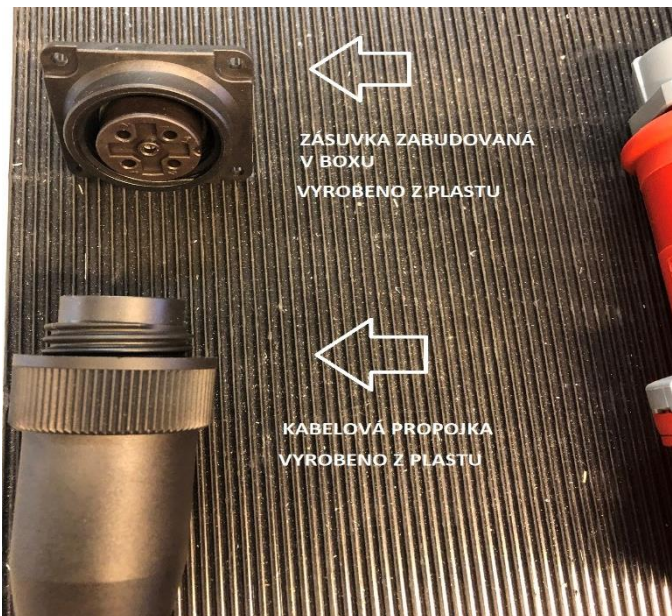


stakohome®

Stakohome Network s.r.o.
IČ: 27213064, DIČ: CZ27213064
tel.: +420 226 517 522
fax: +420 226 517 379
stakohome@stakohome.cz
www.stakohome.cz

www.intelligentni-byt.cz
Invoice address: Podnikatelská 565, 190 11 Praha 9, Běchovice
Showroom and delivery address: Aloisovská 934/8, 198 00 Praha 9, Hloubětín

Type: STAKOHOME-SV-31H (square top frame) 3x socket 230V, adapter 1x400V 5/16A
Type: STAKOHOME-SV-31K (round top frame) 3x socket 230V, adapter 1x400V 5/16A



Pic.a: Cable socket and connector 400V 5 / 16A



Pic.b: cable jumper for 400V 5 / 16A socket

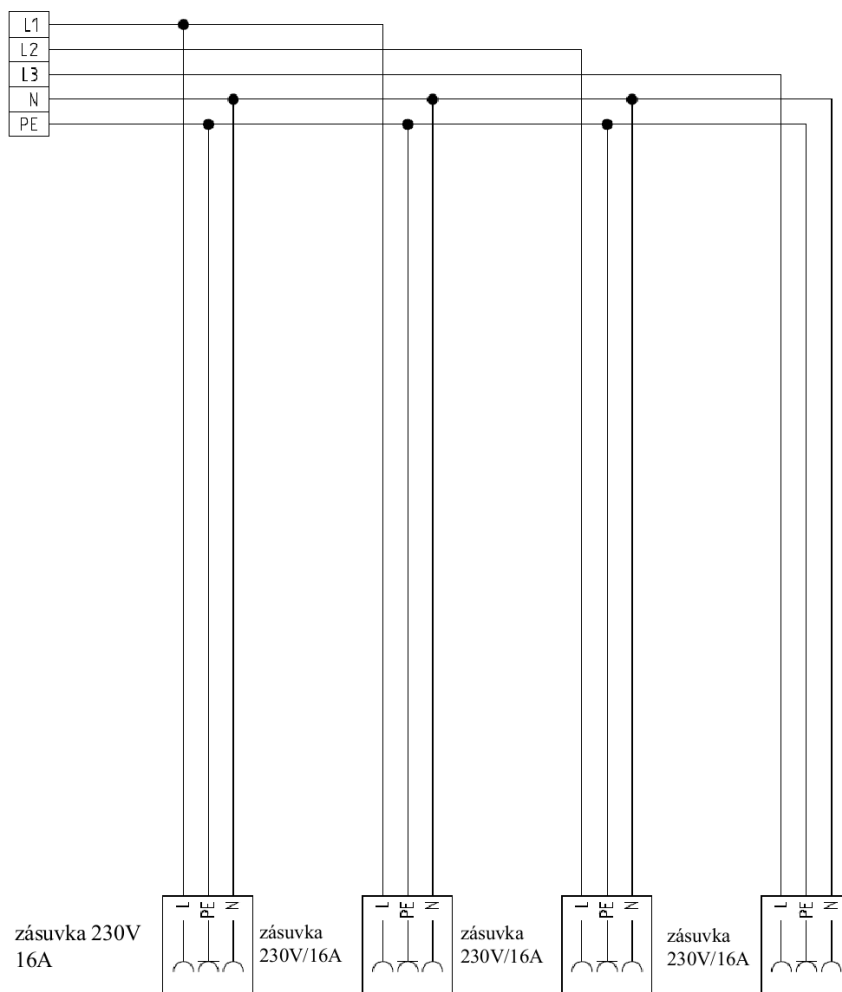
Socket connection

Underground piston socket IP 67

Designation:

Type: STAKOHOME-SV-40K (round top frame) 4x 230V socket

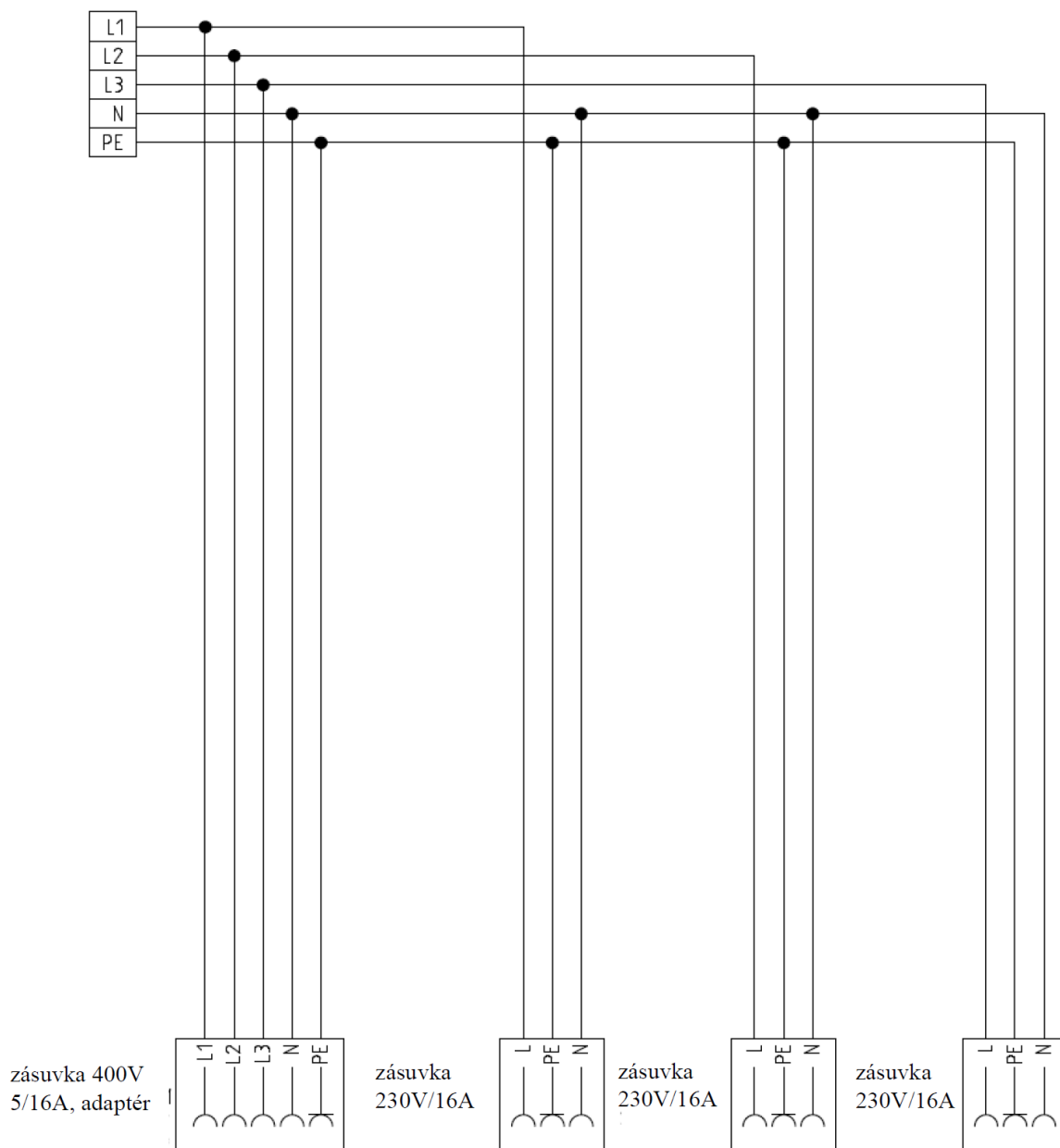
Type: STAKOHOME-SV-40H (square top frame) 4x 230V socket



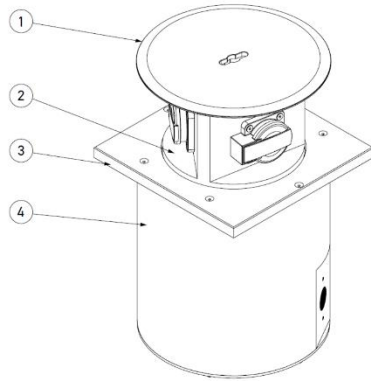
Socket connection

Underground piston socket IP 67

Type: STAKOHOMESV-31H (square top frame) 3x socket 230V, adapter 1x400V 5/16A
 Type: STAKOHOMESV-31K (round top frame) 3x socket 230V, adapter 1x400V 5/16A



Assembly Instructions

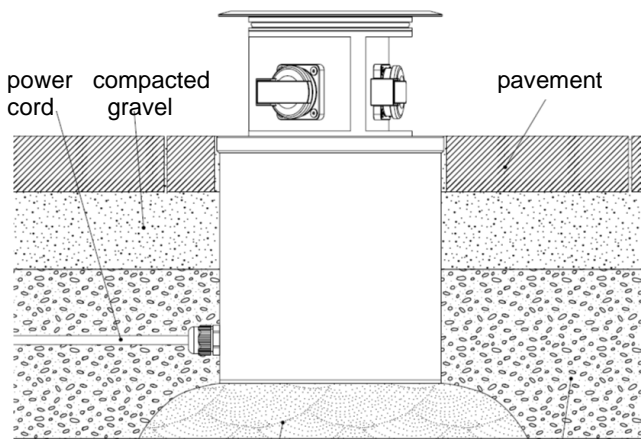
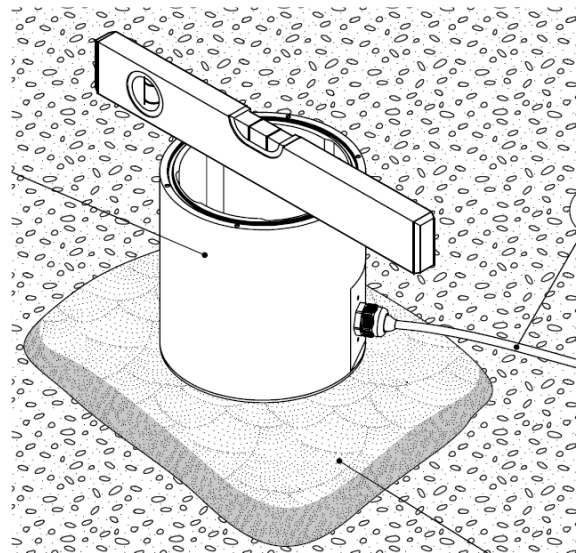


- 1 – pull-out lid
- 2 – socket holder
- 3 – frame (round or square)
- 4 – socket body

Use a spirit level to push the floor box into a mortar bed, etc. or similar material and level it with the final terrain. Route the cable through the cable gland (use cable glands with degree of protection IP 67/68) and connect to the terminal board. Pour resin on the terminal block (a non-removable joint is created) and seal the cable gland to ensure watertightness.

The rest (around the drawer) is then filled with mortar. The box must be regularly cleaned of dirt, otherwise the type of cover cannot be guaranteed.

Use cable glands / glands according to the size / cross-section of the installed cable. Secure the cable entries (eg with sealing compound) so that the supply is sealed and water / moisture does not get into the socket.



Note: The composition is illustrative only. It may vary depending on the specific conditions.

stakohome®

Stakohome Network s.r.o.
IČ: 27213064, DIČ: CZ27213064
tel.: +420 226 517 522
fax: +420 226 517 379
stakohome@stakohome.cz
www.stakohome.cz

www.intelligentni-byt.cz
Invoice address: Podnikatelská 565, 190 11 Praha 9, Běchovice
Showroom and delivery address: Aloisovská 934/8, 198 00 Praha 9, Hloubětín